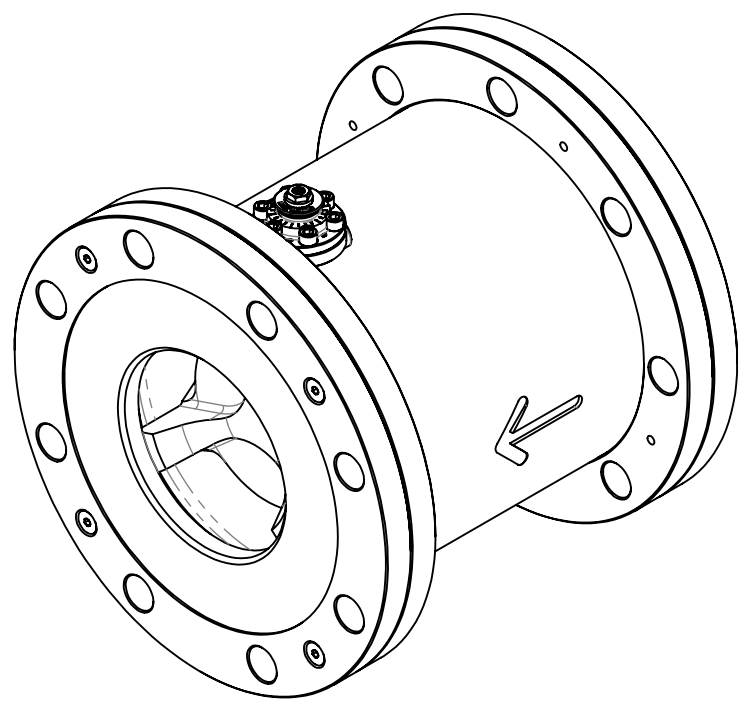


# 11995 - INSTALLATION

## 6" VALVE - 2 STAGE



**SCALE 1:4**

